



DESIGNER EMBELLISHMENT ATTACHMENT

IMPORTANT SAFETY INSTRUCTIONS

Read all instructions before using this household accessory.

When using an electrical appliance and its accessories, basic safety precautions should always be followed, including the following:

Keep the instructions at a suitable place close to the machine. Make sure to hand them over if the machine is given to a third party.

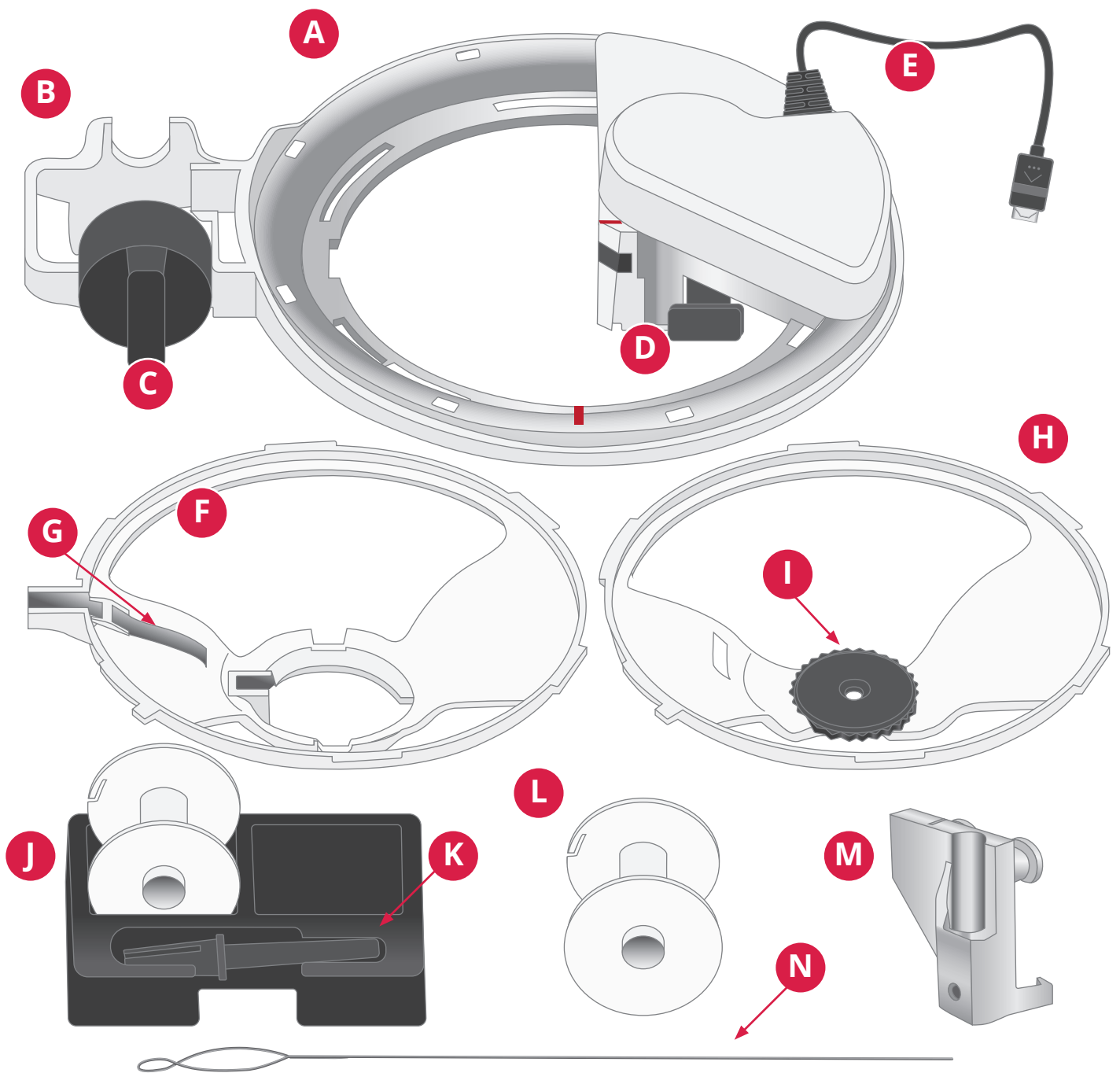
This appliance is intended for use by adults. The appliance can be used with adult supervision by (i) children aged from 8 to 12 years and (ii) persons with reduced physical, sensory or mental capabilities or lack of experience and knowledge if they have been given instruction concerning use of the appliance in a safe way and understand the hazards involved. Cleaning and user

maintenance shall not be made by children without supervision. It is not allowed for anyone to play with the machine. Children up to 8 years are not allowed to use the machine.

WARNING –TO REDUCE THE RISK OF BURNS, FIRE, ELECTRIC SHOCK, OR INJURY TO PERSON:

- Do not allow to be used as a toy. Close attention is necessary when the accessory is used with a machine or near children.
- Use this accessory only for its intended use as described in this manual.
- Never operate this accessory if it has a damaged cord or plug, if it is not working properly, if it has been dropped or damaged, or dropped into water.
- Do not use outdoors.
- Do not operate where aerosol (spray) products are being used or where oxygen is being administered.
- Never operate the appliance with any air openings blocked. Keep ventilation openings of the sewing machine and foot control free from the accumulation of lint, dust, and loose cloth.
- Never drop or insert any object into any opening.
- Do not unplug by pulling on the cord. To unplug, grasp the plug, not the cord.
- Never place other objects on the accessory.
- Do not use the accessory if it is wet.
- If the cord to the accessory is damaged, it must be replaced by the manufacturer or its service agent or a similarly qualified person, in order to avoid a hazard.
- For household use. Only use with the sewing machine(s) recommended in this manual.
- Return the accessory to the nearest authorized dealer or service center for examination, repair, electrical or mechanical adjustment.
- Keep fingers away from all moving parts. Special care is required around the sewing machine needle.

SAVE THESE INSTRUCTIONS



Embellishment Attachment - Overview

- | | |
|-----------------------|-----------------------|
| A. Embellishment Unit | H. Ribbon Base |
| B. Spool Holder | I. Adjustable Guide |
| C. Spool Lock | J. Spool Storage Unit |
| D. Release Lever | K. Winder |
| E. Connection Plug | L. Spool |
| F. Yarn/Bead Base | M. Attachment Holder |
| G. Threading Channel | N. Threading Wire |

Introduction

With the Embellishment Attachment you can create embroideries with a texture that literally stands out! Rather than simple stitches on the surface of the fabric, the texture of the ribbon, yarn or bead results in embroideries that seem to jump off of the material.

Getting Started

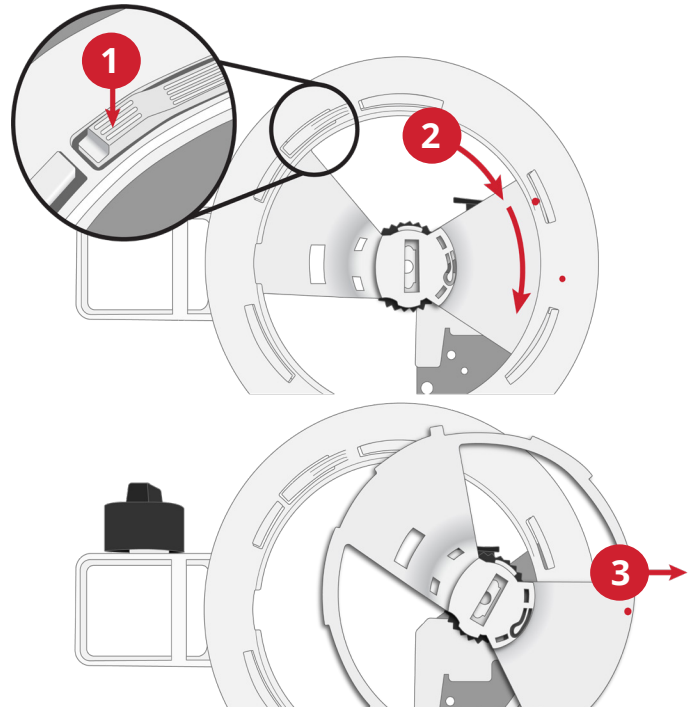
This instruction provides a guide to setting up the Embellishment Attachment. Special tips for each technique is found in the respective technique tutorial in your sewing and embroidery machine. Find the Ribbon, Yarn and String of Beads embroidery tutorials in the “Embellishment Attachment” or “Embroidery Accessories” sections.

To see which designs you can make using the Embellishment Attachment, please see your Sampler Booklet mySew-net Library.

Remove a Base from the Embellishment Unit

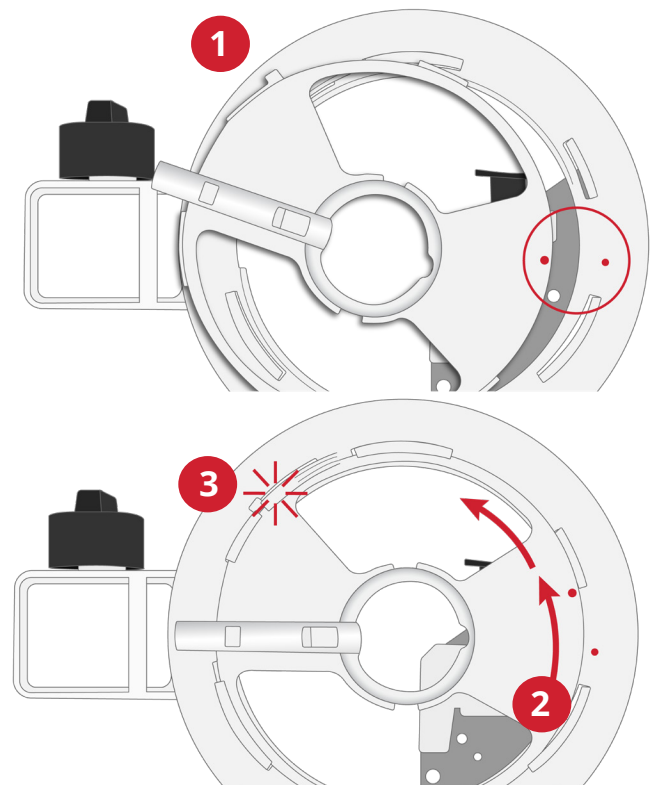
There are two interchangeable bases to use for the embellishment embroideries. One is used when embroidering with ribbons and one is used for yarn and strings of beads.

1. Place the Embellishment unit of the Embellishment Attachment with the underside up.
2. To remove the interchangeable base, press the release button down and turn the guide in a clockwise direction.
3. Lift off to remove it.



Mount a Guide to the Embellishment Unit

1. Place the Embellishment unit with the underside up.
2. To attach the base to use, place it on top of the embellishment unit. The red mark on the embellishment unit and the mark on the guide should match.
3. Lock the guide in position by turning it counter clockwise until it clicks in place.



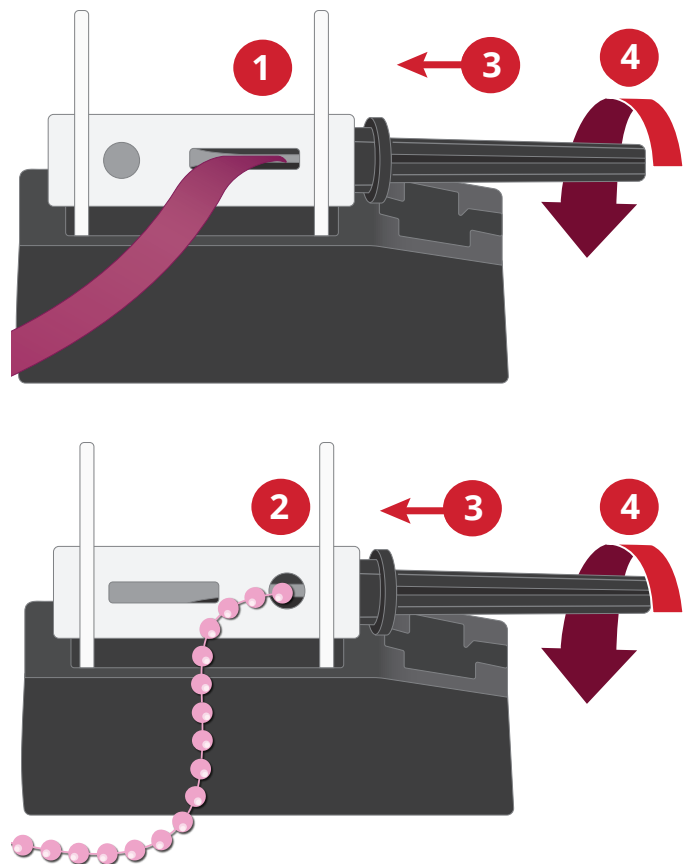
Wind the Embellishments on to the Spool

The length of the embellishment needed for a design is listed in the Sampler Booklet and in the Quick Help available for each embellishment color block.

1. Place the spool in the spool storage unit, with the rectangular slot to the right if you are winding ribbons. Insert the embellishment into the slot.
2. Place the circular opening to the right if winding strings of beads or yarn. Insert the embellishment into the slot.
3. The winder has one end that is split in two. This end is used to hold the embellishment in place whilst starting to wind. Insert the split end of the winder into the hole in the right end of the spool.
4. Start winding by spinning the winder away from you.

Note: If your ribbon has a right and wrong side, wind the ribbon with the right side down.

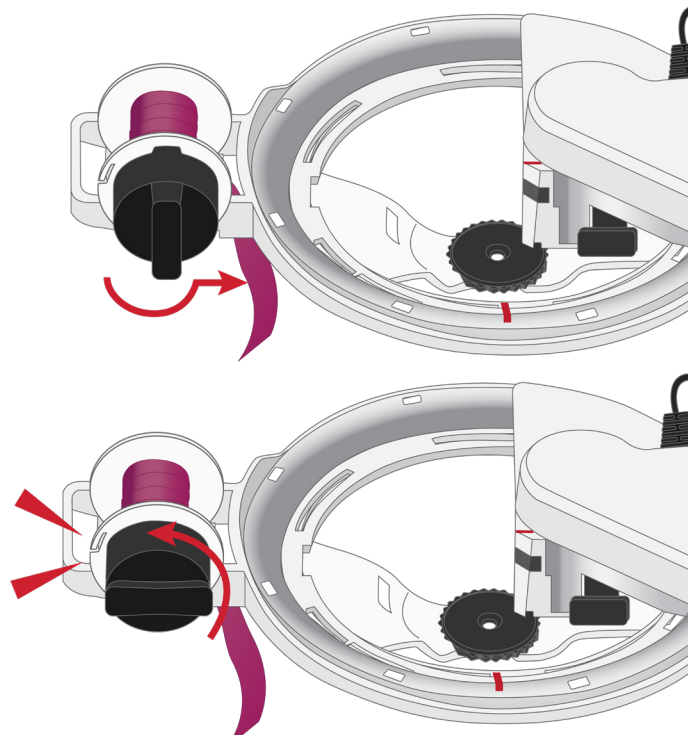
Tip: To avoid the embellishment from unraveling when handling the spool, place the end of the embellishment in the notch on the spool.



Place the Spool in the Spool Holder

1. Place the base unit of the Embellishment Attachment with the front up.
2. Place the Embellishment Attachment so that the spool holder is positioned to the left. Place the spool in the holder so that the embellishment reels off in a counter clockwise motion (it should fall under the base unit to the right of the spool).
3. For easier handling when threading, the spool could be locked in the spool holder. Turn the lock two steps to lock the spool in the holder.

Note: If using ribbons or yarn, unlock again before starting to embroider, otherwise the tension could be affected. See respective technique tutorial.



Thread Ribbon into the Base

This section describes how to thread the ribbon to the base. For instructions about how to thread yarn or beads into the base, see next section.

Turn the Embellishment Attachment over for easier threading.

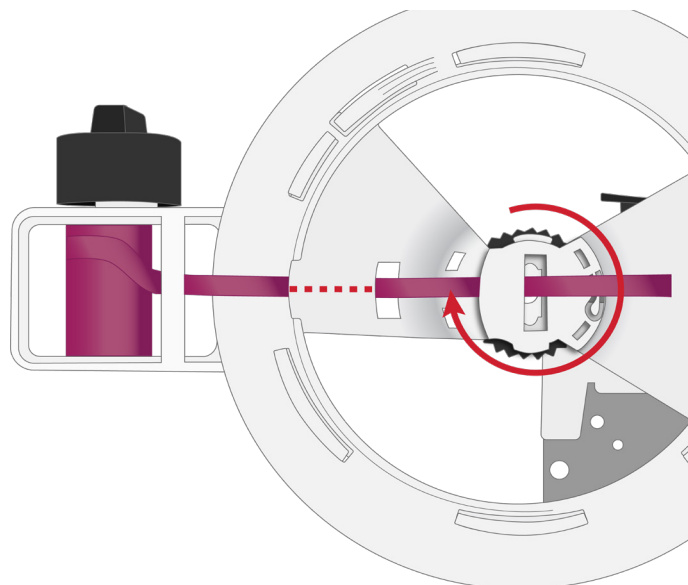
Once the ribbon is placed under the first threading guide on the spool holder, continue threading through the second and third ribbon guide.

Thread the ribbon through the fourth adjustable ribbon guide.

While holding the ribbon in place rotate the wheel of the adjustable base until the edges of the base match the width of the ribbon. Do not tighten too much, the ribbon should lay flat. (If the opening in the adjustable base is too tight, first turn the wheel counter clockwise.)

Carefully pull out about 1½" (4 cm) of ribbon outside the Embellishment Attachment.

More instructions on how to thread the Embellishment attachment is found in the respective technique tutorial.



Thread Yarn or Beads into the Base

This section describes how to thread yarn or beads into the base. Note that the images only show beads. The process is similar for yarn.

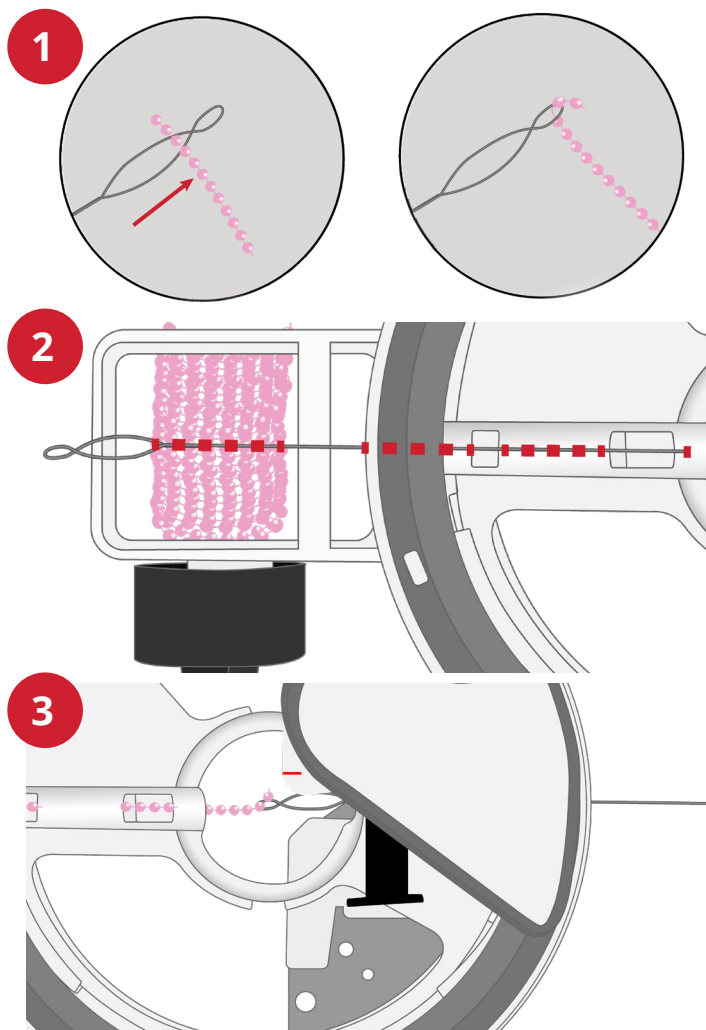
Insert the end of the yarn or string of beads into the eye of the threading wire. Carefully pull the yarn or string into the smaller eye of the wire (1). This is to hold the yarn in place whilst you pull it through the threading channel.

When using beads, leave one bead outside the eye.

Place the threading wire over the first threading guide on the spool holder, then insert the wire into the threading channel (2).

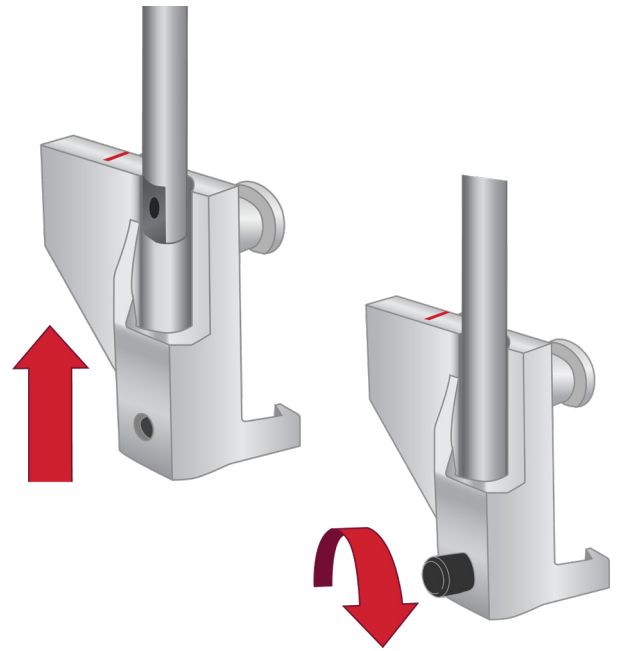
Pull the threading wire to draw the yarn through the threading channel. Do not remove the yarn or string of beads from the threading wire (3).

More instructions on how to thread the Embellishment attachment is found in the respective technique tutorial.



Attach the Hoop and Fasten the Holder

1. Slide the embroidery hoop into the hoop attachment from front to back until it clicks into place.
2. Touch “OK” to confirm.
3. Remove the presser foot and the presser foot ankle.
4. Position the attachment holder onto the presser foot bar from below.
5. Insert and tighten the screw.



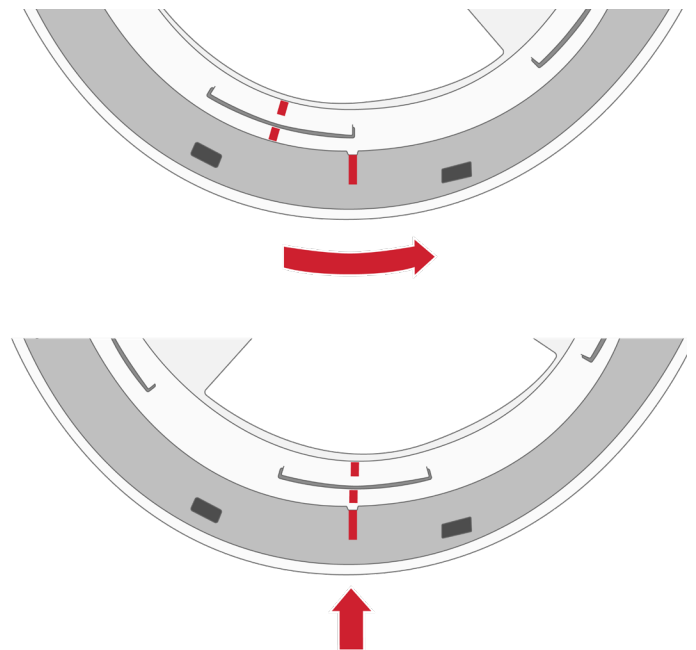
Align the Markings on the Embellishment Attachment

Before attaching the Embellishment Attachment to the machine, make sure that the red markings are correctly aligned.

Two markings must match; the marking on the inner guide and the marking on the base unit.

If the inner markings don't match, hold the Embellishment Attachment with one hand, turn the inner guide with the other until the two red markings match.

Do not rotate the attachment manually when it is plugged in to the machine.

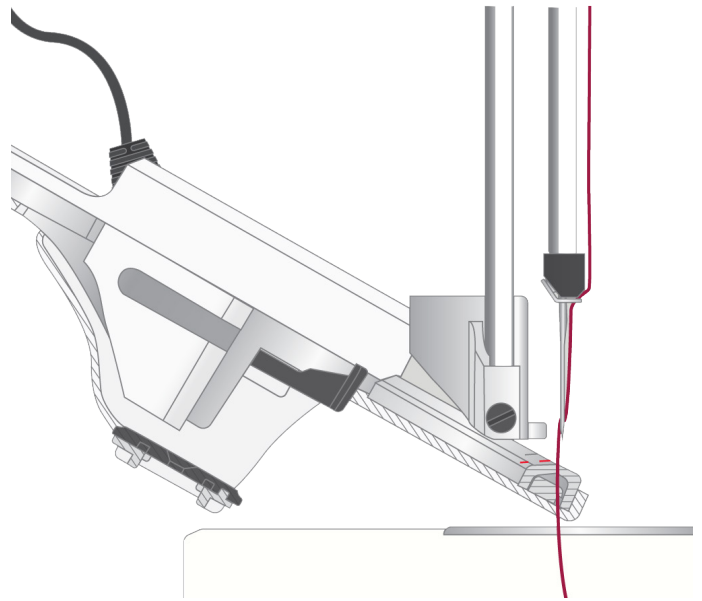


Attach the Embellishment Attachment

When reaching an embellishment block in a design, the presser foot and needle will automatically be set into correct position.

(The presser foot should be raised to “up position” and the needle raised to its highest.)

Tilt the Embellishment Attachment and insert it from behind carefully. Make sure that the red markings align with the needle. Slide the Embellishment Attachment towards you onto the holder until it snaps into place.



Plug in the Embellishment Attachment

Plug the cord into the accessory socket at the back of the sewing head of your machine.

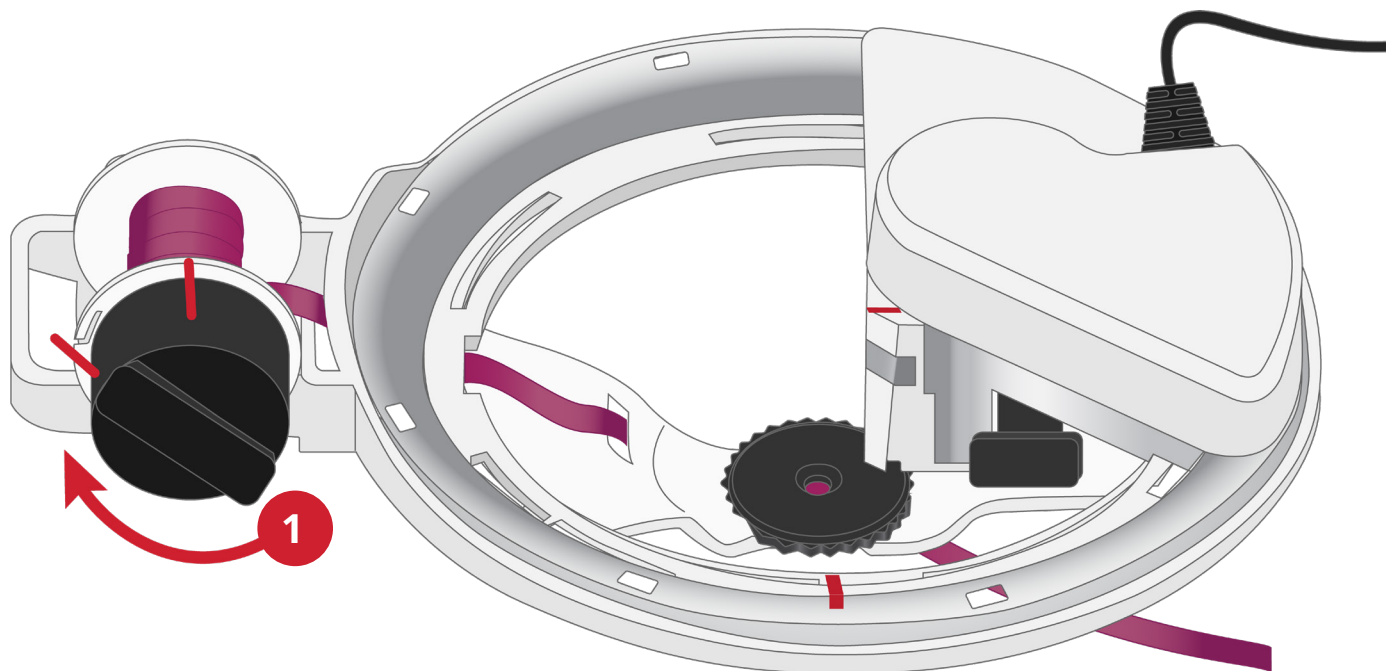
When the Embellishment Attachment is plugged in, a pop-up message will appear and inform you that the Embellishment Attachment needs to calibrate.

Touch OK. The Embellishment Attachment will calibrate and move to the ready position.

Note: When plugged in, the pivot height of the Embellishment Attachment must be adjusted to fit the height of the embellishment. The pivot height is set in the temporary embroidery settings menu.



Start your Embroidery: Ribbon



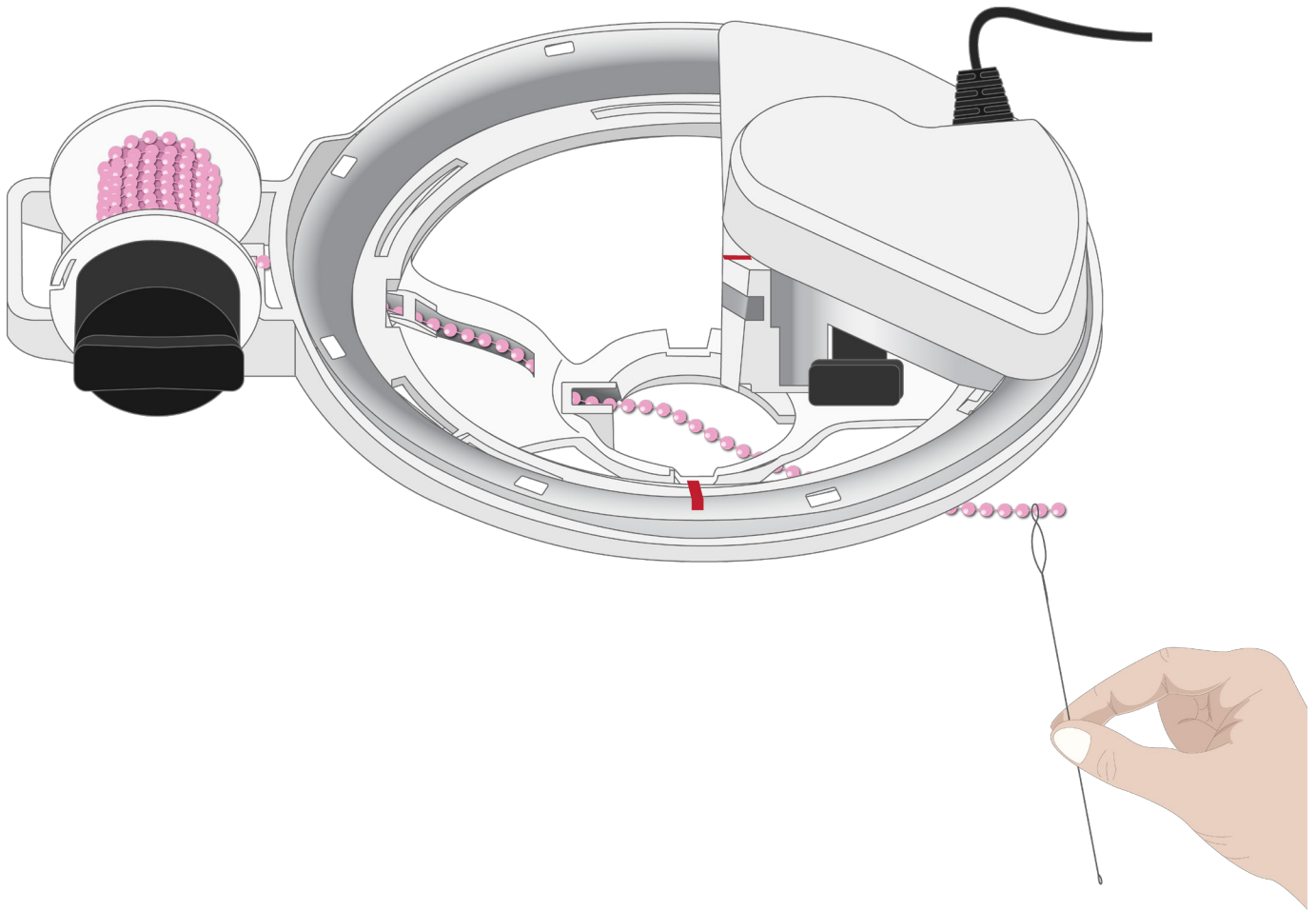
This section describes how to start your embroidery with ribbons. For instructions about how to start embroidery with yarn or beads, see next page. Find the Ribbon embroidery tutorial in the “Embellishment Attachment” or “Embroidery Accessories” sections.

1. Unlock the spool two steps (1).
2. Press start/stop to begin to embroider.

After a few stitches, your machine will stop so that you can cut the ribbon. Carefully cut the ribbon underneath the Embellishment Attachment.

Your machine will guide you through the embroidery! Pop-ups will appear on the screen telling you what to do!

Start your Embroidery: Yarn or String of Beads



This section describes how to start embroider with yarn or string of beads. Note that the images only show string of beads. The process is similar for yarn (see previous page). Find Yarn and String of Beads embroidery tutorials in the “Embellishment Attachment” or “Embroidery Accessories” sections.

1. Move the yarn towards you, away from the needle.
2. Press start/stop to begin to embroider.
3. Hold still while the machine sews a few stitches to fasten the thread. The machine stops.
4. Move the yarn backwards so that it carefully pushes the thread back behind the needle. The yarn should be behind the needle.
5. Press start/stop to begin to embroider.
6. The machine will sew a few stitches to fasten the yarn. Hold it in place with the threading wire.
7. After a few stitches, your machine will stop so that you can cut the yarn. Carefully cut the yarn underneath the Embellishment Attachment.

Your machine will guide you through the embroidery! Pop-ups will appear on the screen telling you what to do!

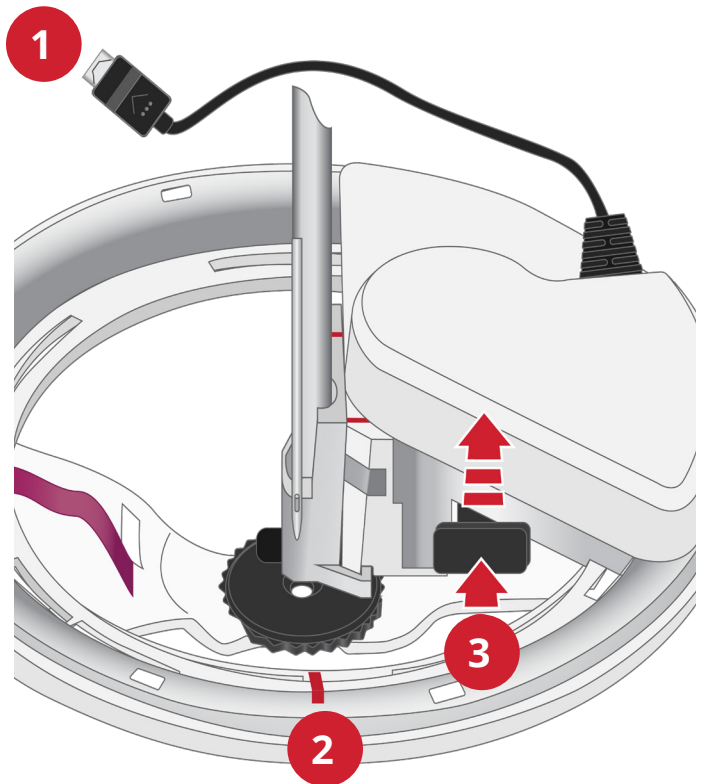
Remove the Embellishment Attachment

When the embroidery is finished, the attachment and needle will automatically be set into correct position for removal.

(The presser foot should be raised to “up position” and the needle raised to its highest.)

How to cut and finish off the ends of the embellishment, see respective tutorial in your machine.

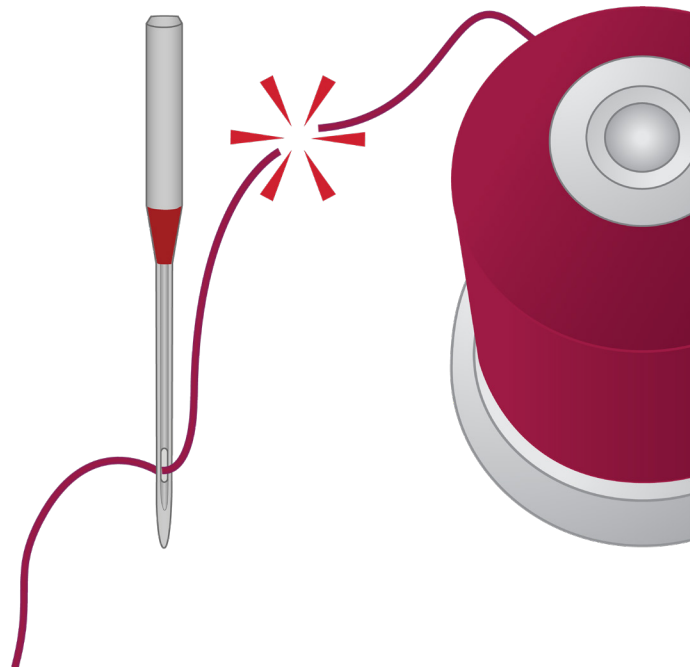
1. Pull out the plug from the accessory socket.
2. Before removing the Embellishment Attachment, make sure that the red markings are correctly aligned. Two markings must match; the marking on the inner guide and the marking on the base unit.
3. To remove the Embellishment Attachment, push and hold the release lever while you slide the attachment backwards until it's released from the holder. Tilt the edge of the attachment down so the red lines fit under the needle as you pull it backwards.



If the Thread Breaks

If the thread breaks during an embellishment color block, you can re-thread using the automatic needle threader. When the machine senses a thread break, the Embellishment Attachment is automatically set in threading position. Thread as usual and press the automatic needle threader button to thread the needle. If it's difficult to reach the needle thread guide and/or the needle threader, use tweezers.

Move backwards 1–2 stitches and continue embroidering.



Tilting the Accessory

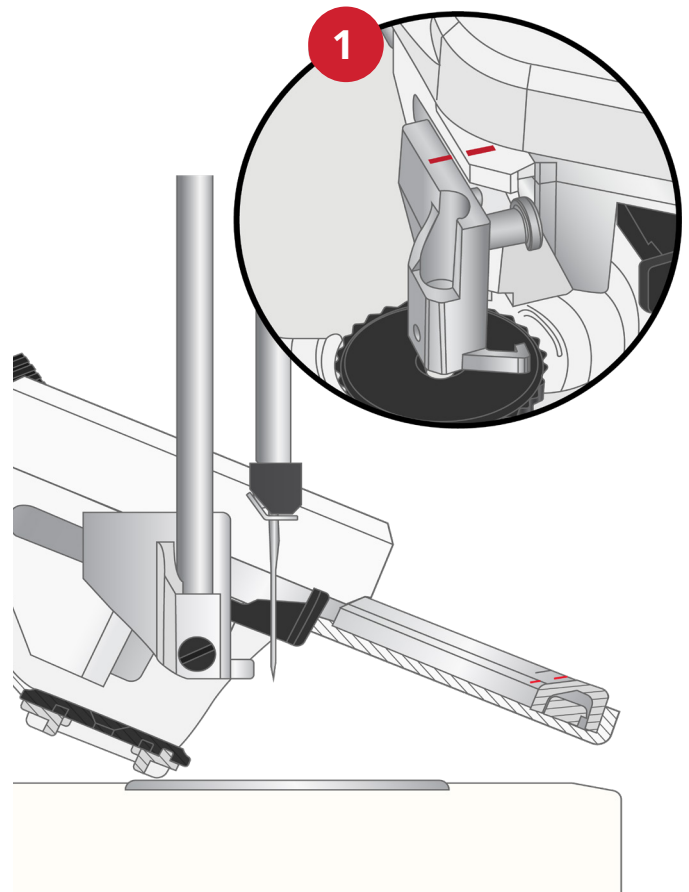
Tilting the Embellishment Attachment can be useful if you, for example, need to change the needle.

Press the release button and slide the Embellishment Attachment backwards halfway until the markings on the holder and attachment line up (1), and it's possible to tilt. Tilt the attachment towards you.

If tilting the Embellishment Attachment during an embellishment color block, be very careful when releasing and tilting the accessory. Since the embellishment is stitched to the hooped fabric, it can be damaged and/or moved out of position if the Embellishment Attachment is released too hastily.

Make sure the Embellishment Attachment is properly attached again before threading or using the automatic needle threader.

Tip: Before tilting, pull out some embellishment underneath. Re-wind excess embellishment before continuing with the embroidery (if using ribbon, make sure it lies flat before re-winding).



Tips & Hints

For best results, use ribbons with a width of 3–10mm and strings of beads in a size of 2mm or 4mm. A wide range of different yarns can be used. Make sure that the yarn can run through the channel without any significant friction.

When plugged in, the pivot height of the Embellishment Attachment can be adjusted for different ribbon widths, yarn and strings of beads. The wider the ribbon, the higher the recommended pivot height. The pivot height is set in the temporary embroidery settings menu.

Ribbons 3–4mm: 1–4 / **Ribbons 5–7mm:** 4–7 / **Ribbons 8–12mm:** 7–9

Yarn: 9

String of Beads: 9-12

Since it is easier, always thread your machine before attaching the Embellishment Attachment.

Make sure you have enough bobbin thread wound before attaching the accessory. Changing bobbin during embellishment embroidery is not recommended. You would have to remove the attachment and the hoop and this can cause misplacement or damage to the embellishment when continuing the embroidery.